

The Pressure Regulators S-292 and 297 belong to the S-200 Series, widely used in commercial and industrial installations, where the inlet pressure is up to 10 bar and provides a regulated pressure between 20 mbar and 500 mbar. Is a direct action regulator, equipped by a particular system to stabilize the shutter and reach higher capacities than the similar models, replacing pilot regulators.

The connection to pipe is through $\varnothing 2''$ threads (inlet and output). Flange connection may be requested.

The installation position may be horizontal or vertical up and down, the diaphragm case can be rotated 360° respect to the body.

S-297 Model has protection against excess in the outlet regulated pressure and a manual reset blocking system (shut off device).

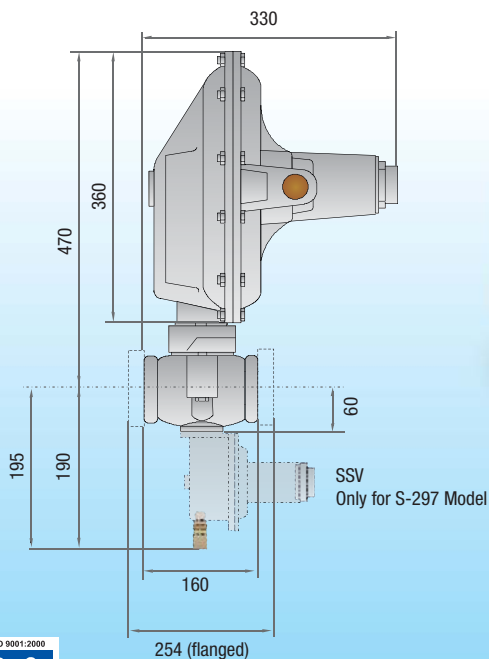
TECHNICAL DATA

Connections:	Threaded 2" BSP or Flanged S-150
Operation Temperature:	-20°C to 60°C
Approximate Weight:	12,7 Kg

MATERIALS

MAIN BODY:	Ductile Iron
INNER PARTS:	Brass
DIAPHRAGM and SHUTTER:	Nitrile

GENERAL DIMMENSIONS in mm.



Pressure Regulators

EQA S-292
Without Shutoff System

EQA S-297
With Shutoff System

NATURAL GAS CAPACITY CHART

Capacity in Nm³/hour (Density 0,6 - Sensitivity 10%)

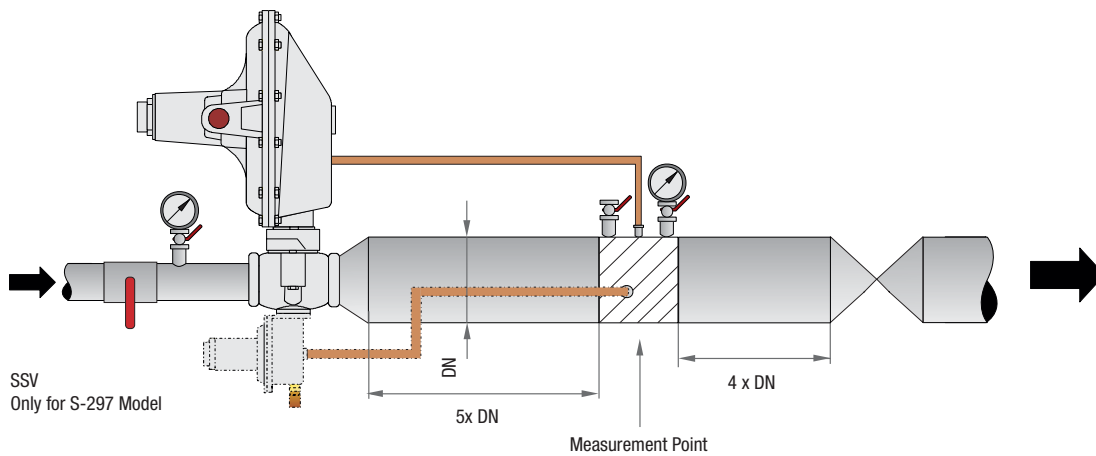
Inlet Pressure (bar)	Outlet Pressure (bar)				
	0,02	0,04	0,08	0,16	0,4
0,07	50	-	-	-	-
0,14	85	80	80	-	-
0,16	120	110	100	-	-
0,35	225	190	180	120	-
0,5	300	220	210	160	120
0,7	400	300	280	200	160
1	450	400	400	250	200
2	600	580	580	580	320
2,5	700	700	700	700	380
3	900	900	900	900	450
4	1100	1100	1100	1100	700
5	1400	1400	1400	1400	800
6	1650	1650	1650	1650	900
7	2000	2000	2000	2000	1000
8	2300	2300	2300	2300	1100
9	2600	2600	2600	2600	1200
10	3000	3000	3000	3000	1400

In order to calculate capacities with other gases, multiply the value in the figure by K factor

GAS	DENSITY	K FACTOR
Butane	2	0.55
Propane LPG	1.5	0.63
Carbonic Anhydride	1.5	0.63
Oxygen	1.1	0.74
Air	1	0.77
Nitrogen	0.97	0.79
Acetylene	0.9	0.82
Ammonia	0.59	1.02
Hydrogen	0.07	3
Biogas*	max 1.2	0.7
	min 0.8	0.75

* The proper operation is guaranteed only for treated Biogas (Low content of sulfur)

INSTALLATION SKETCH



EQA S.A.I.C.

26 de abril 3836 - ITUZAINGO (1714) - Pcia. de Buenos Aires
Tel. (54 11) 4481-9950 y rotativas / Fax.(54 11) 4481-9288
e-mail: eqa@eqa.com.ar - web site: www.eqa.com.ar

DISTRIBUIDOR | DISTRIBUTOR