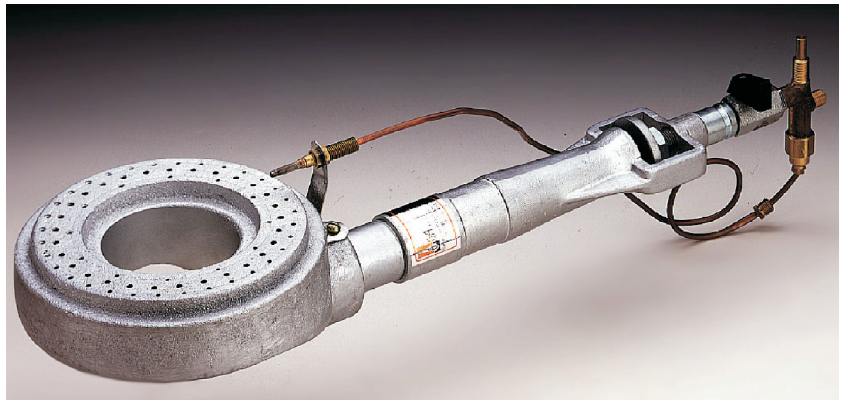


CIRCULAR ATMOSPHERIC BURNERS EQA "R"

Circular atmospheric burners model EQA "R" are useful for tanks, liquids or solutions heating, friers, heat exchangers, small boilers, crucibles for metals with a low fusion point, industrial kitchens, drying stoves, fire-places.

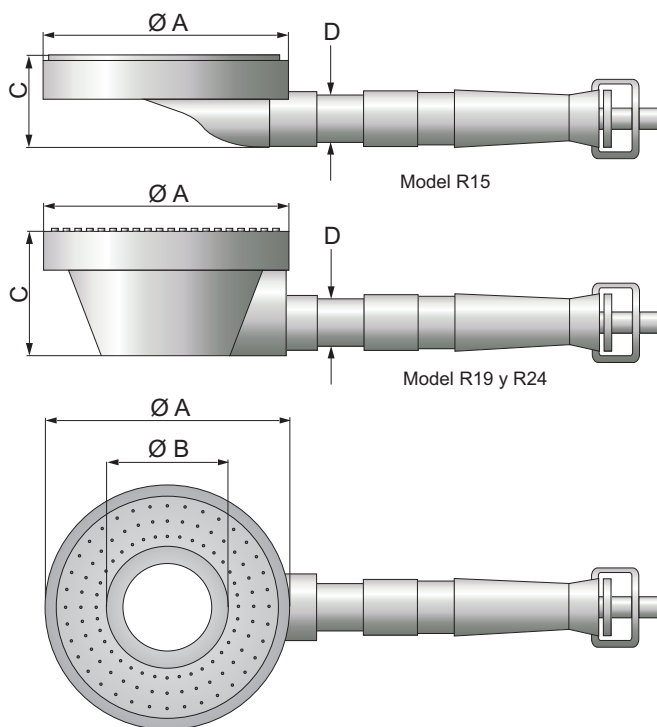
They are built in cast iron, able to support high temperatures.

Equipped with venturi, primary air register and ball valve.



Alternatives:

- Manual or automatic lighting
- Piezoelectric or electric device for lighting
- Thermocoupled safety valve by lack of flame
- Solenoid valve (to work with a temperature or pressure control)
- Electronic safety and lighting system
- Optionally provided with temperature control



Sizes and Capacities

Model	Sizes (mm.)			D (Screw BSP)	Capacities (Kcal/h)	
	A	B	C		Natural Gas (0.020 bar)	LPG (0.030 bar)
R15	155	88	86	1" bsp	12.000	8.000
R19	190	90	90	1" bsp	18.000	13.000
R24	235	90	83	1" bsp	30.000	15.000

