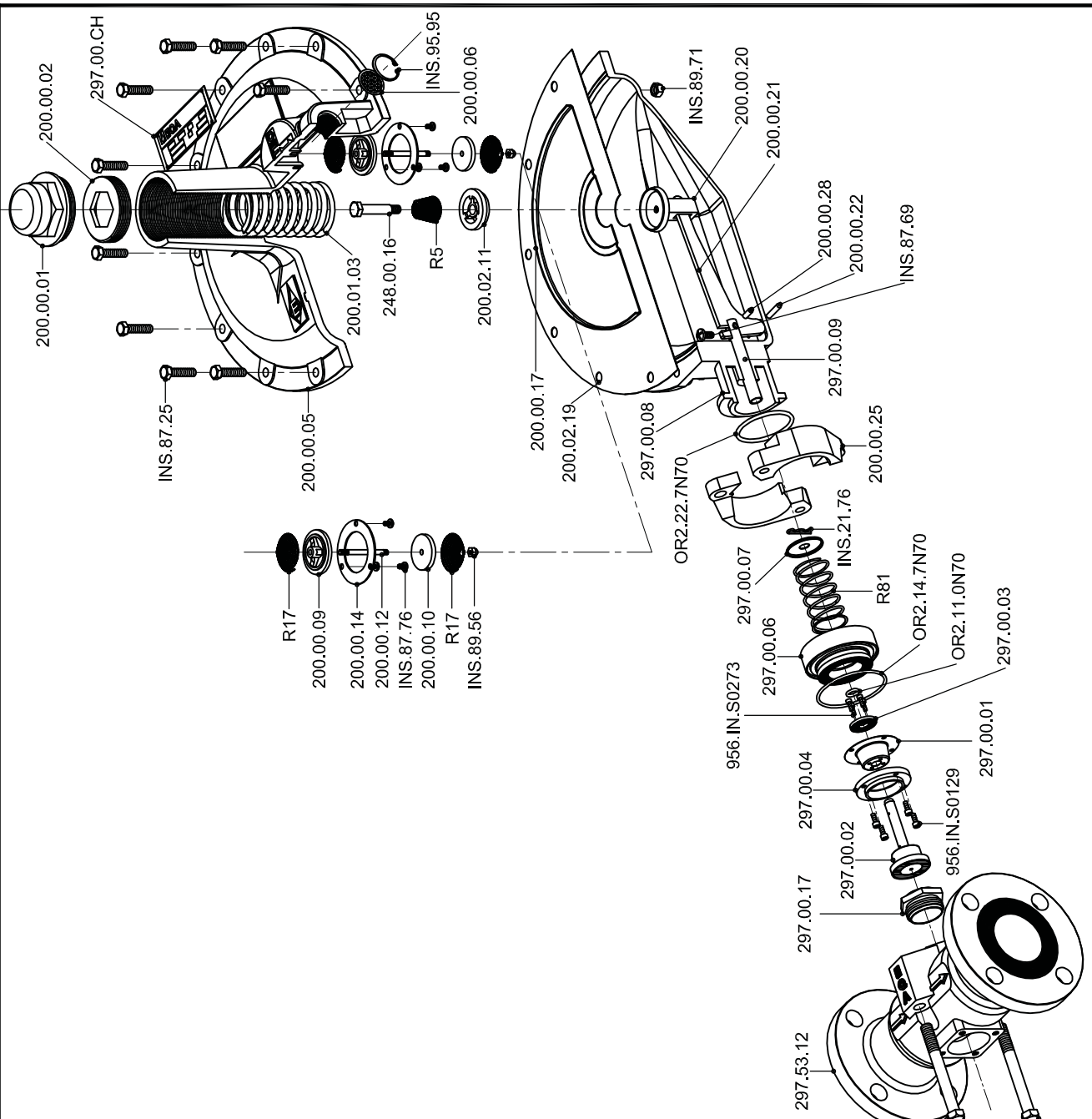


- 200.00.01 - Spring cover.
- 200.00.02 - Spring pusher.
- 200.01.03 - Main spring (up to 700 mm CA).
- 200.00.05 - Diaphragm cover.
- 200.00.06 - Vent mesh.
- 200.00.09 - Vent upper shutter.
- 200.00.10 - Vent lower shutter.
- 200.02.11 - Diaphragm holder.
- 200.00.12 - Vent stem.
- 200.00.14 - Vent lock washer.
- 200.00.17 - Diaphragm plate.
- 200.02.19 - Rubber diaphragm (thickness: 0.8mm)
- 200.00.20 - Diaphragm disc holder.
- 200.00.21 - Lever.
- 200.00.22 - Lever bolt.
- 200.00.25 - Flanges.
- 200.00.28 - Shutter stem bolt.
- 248.00.16 - Diaphragm pusher screw.
- 297.00.CH - Identification plate.
- 297.00.01 - Shutter diaphragm.
- 297.00.02 - Shutter.
- 297.00.03 - Shutter diaphragm pusher.
- 297.00.04 - Shutter diaphragm holder.
- 297.00.06 - Shutter guide.
- 297.00.07 - Shutter spring pusher.
- 297.00.08 - Diaphragm housing.
- 297.00.09 - Shutter stem.
- 297.53.12 - Body 2"x2".
- 297.00.17 - Orifice.
- 956.IN.S0129 - Screws - allen M4 x 10mm - cyl. head.
- 956.IN.S0273 - Screws - allen M3 x 9mm - cyl. head.
- INS.21.76 - Hair pin cotter 1.5 x30mm.
- INS.87.25 - Screws 5/16"W x 4" - hex. head.
- INS.87.69 - Screws 1/4"W x 1/2" - hex. head.
- INS.87.76 - Screws 5/32"W x 1/4" - button head.
- INS.89.56 - Blind nut 3/16" W.
- INS.89.71 - Nut 5/16" W.
- INS.95.95 - Vent lock washer.
- OR2.11.0N70 - Shutter guide O'Ring (2-110).
- OR2.14.7N70 - Shutoff stem holder O'Ring (2-147).
- OR2.22.7N70 - Buna O'Ring 70 Sh.
- R5 - Relief spring (light load).
- R17 - Vent spring.
- R81 - Shutter spring.



## REGULATOR S-297 Assembly

Plano N°: 297.53.00  
 Revisión: 0  
 Solicitud Mod. N°:

Escala: 1:6

Material:

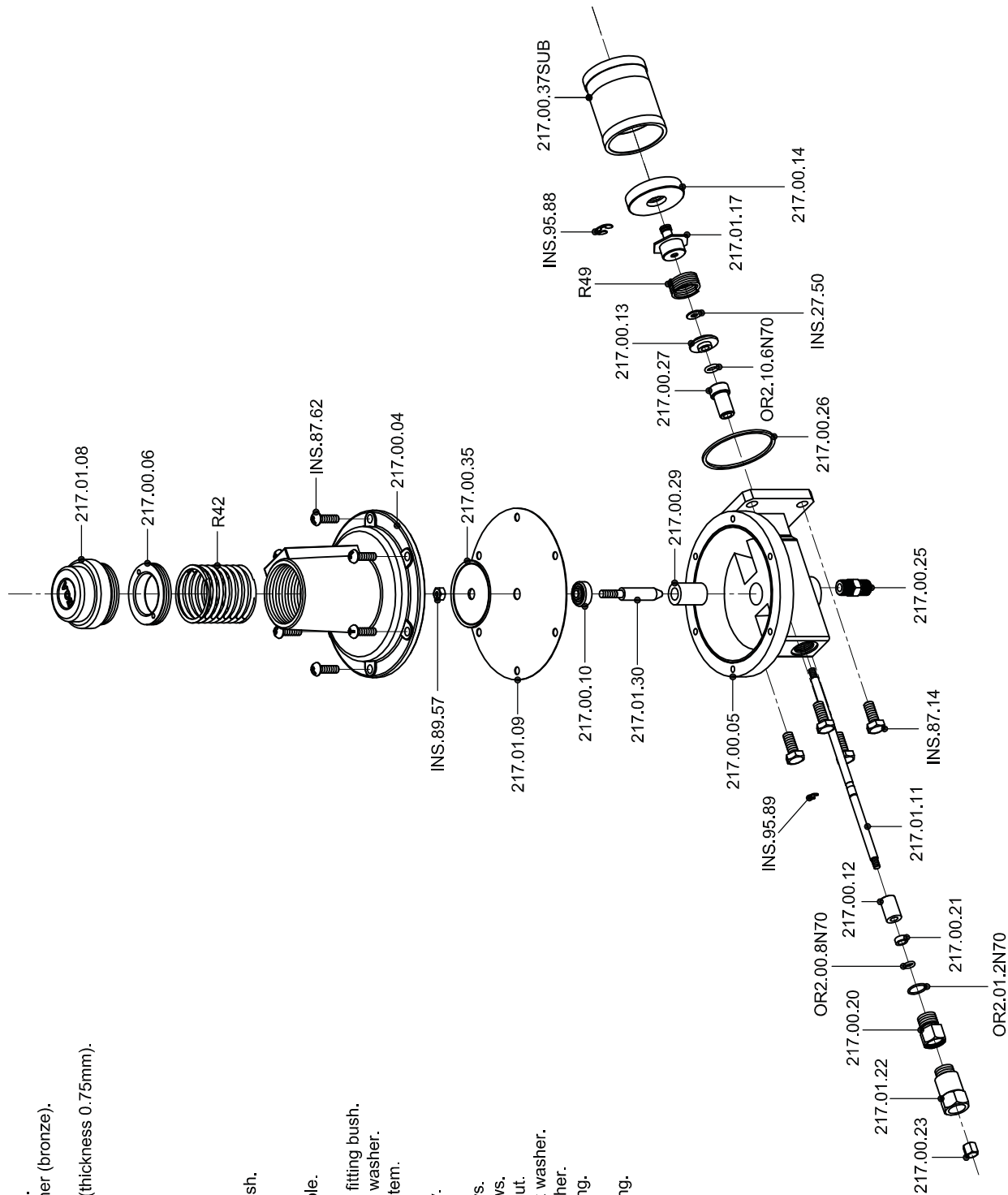
Dibujó: P.M.

Aprobó: P.H.

Fecha: 07/09/10

Hoja: 1/5

- 217.00.04 - Diaphragm cover.
- 217.00.05 - Diaphragm housing.
- 217.00.06 - Shut off spring pusher (bronze).
- 217.01.08 - Spring cover.
- 217.01.09 - Rubber diaphragm (thickness 0.75mm).
- 217.00.10 - Diaphragm holder.
- 217.01.11 - Main stem.
- 217.00.12 - Main stem bush.
- 217.00.13 - O ring pusher.
- 217.00.14 - Shut off shutter.
- 217.01.17 - Shutter holder.
- 217.00.20 - Main stem guide.
- 217.00.21 - Main stem guide bush.
- 217.01.22 - Reset.
- 217.00.23 - Reset nut.
- 217.00.25 - Restricted pipe nipple.
- 217.00.26 - Gasket.
- 217.00.27 - Diaphragm housing fitting bush.
- 217.00.29 - Diaphragm housing washer.
- 217.01.30 - Diaphragm holder stem.
- 217.00.35 - Diaphragm plate.
- 217.00.37SUB - Filter assembly.
- INS.27.50 - Shutter washer.
- INS.87.14 - Shut off-body screws.
- INS.87.62 - Shut off-cover screws.
- INS.89.57 - Diaphragm holder nut.
- INS.95.88 - Shut off shutter lock washer.
- INS.95.89 - Main stem lock washer.
- OR2.00.8N70 - Stem-reset O ring.
- OR2.01.2N70 - Reset O ring.
- OR2.10.6N70 - Main stem O ring.
- R42 - Shut off spring.
- R49 - Shut off shutter spring.



## REGULATOR S-297 Assembly

Plano N°: 297.53.00

Revisión: 0

Solicitud Mod. N°:

Escala:

1:4

Material:

Dibujó:

P.M.

Aprobó:

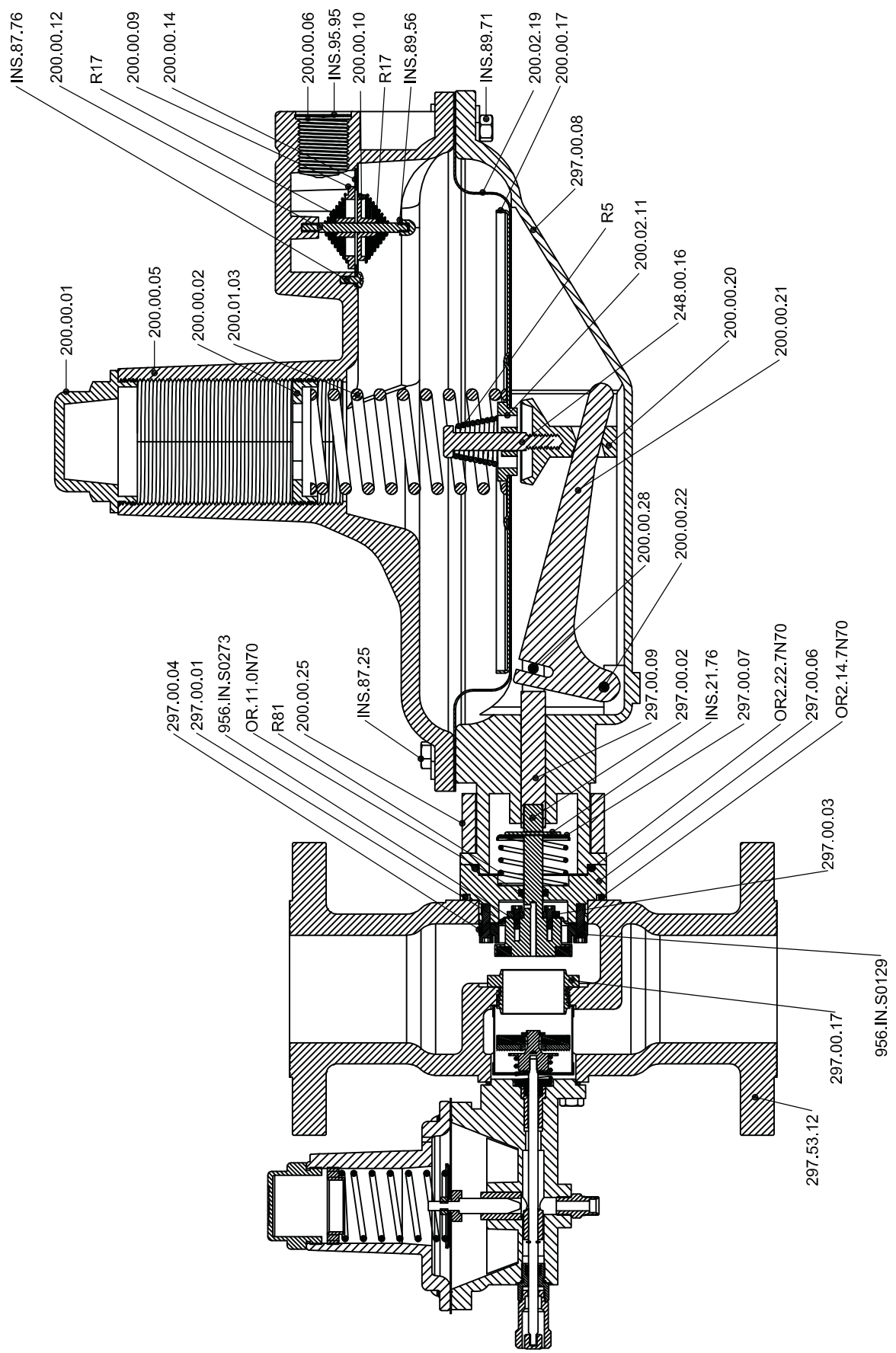
P.H.

Fecha:

07/09/10

Hoja:

2/5



**EQA**  
EQUIPOS QUEMADORES AUTOMÁTICOS S.A.C.

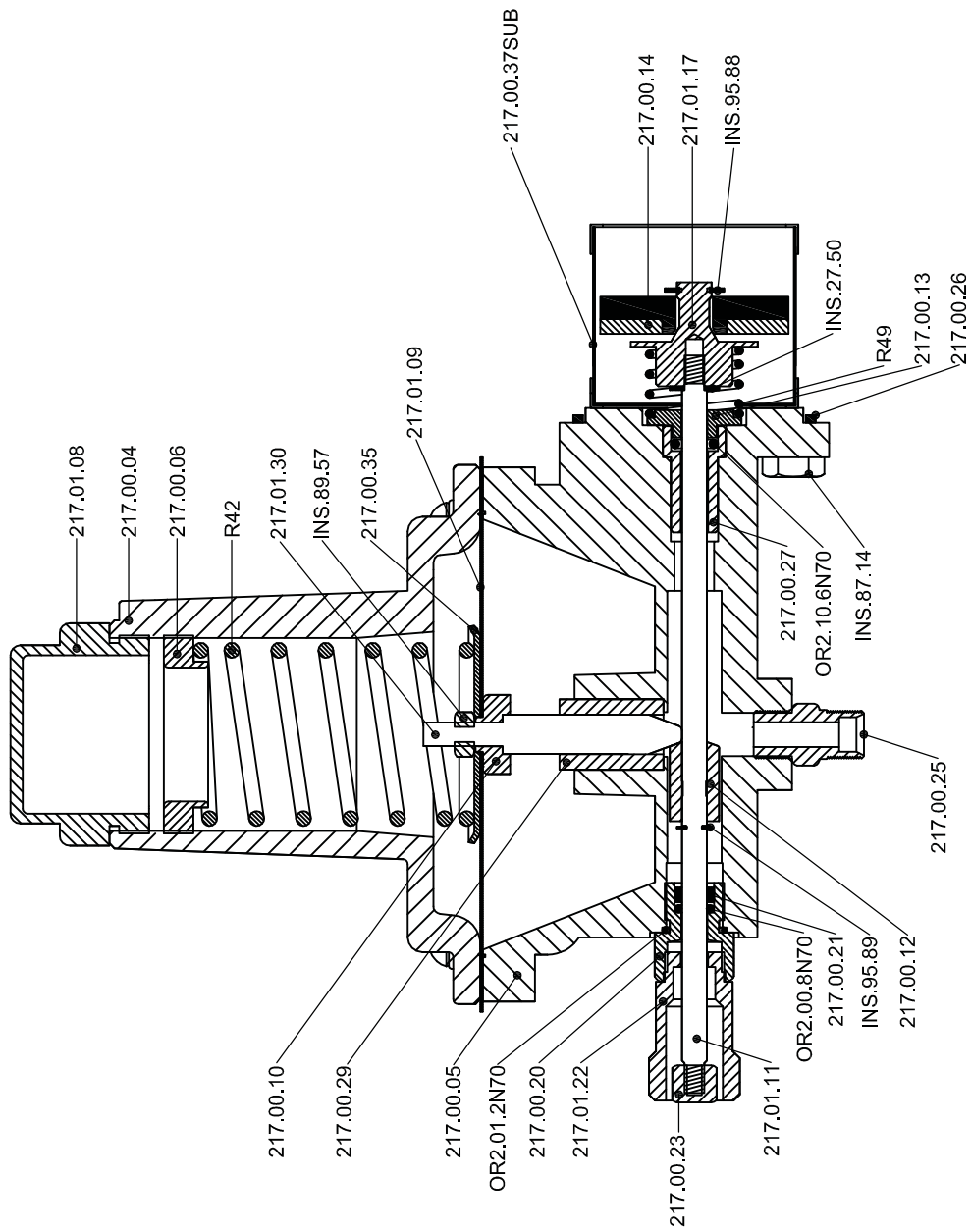
Plano N°: 297.53.00

Revisión: 0

Solicitud Mod. N°:

## REGULATOR S-297 Assembly

Escala: 1:3	Material:	Dibujó: P.M.	Aprobó: P.H.	Fecha: 07/09/10	Hoja: 3/5
----------------	-----------	-----------------	-----------------	--------------------	--------------



## REGULATOR S-297 Assembly

Plano N°: 297.53.00

Revisión: 0

Solicitud Mod. N°:

Escala:

1:1.5

Material:

Dibujó:

P.M.

Aprobó:

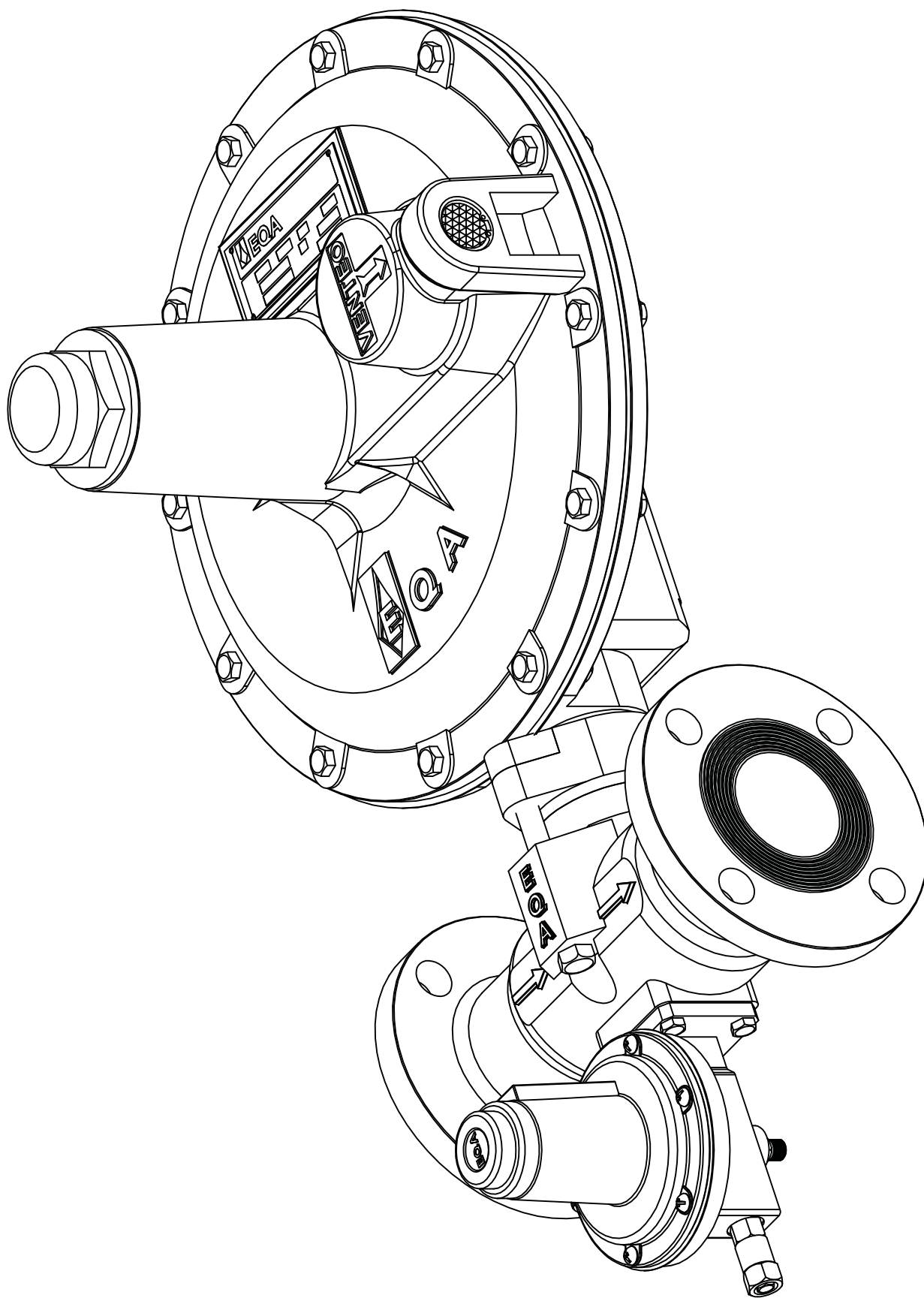
P.H.

Fecha:

07/09/10

Hoja:

4/5



## REGULATOR S-297 Assembly

Plano N°: 297.53.00

Revisión: 0

Solicitud Mod. N°:

Escala:

1:2,5

Material:

Dibujó:

P.M.

Aprobó:

P.H.

Fecha:

07/09/10

Hoja:

5/5